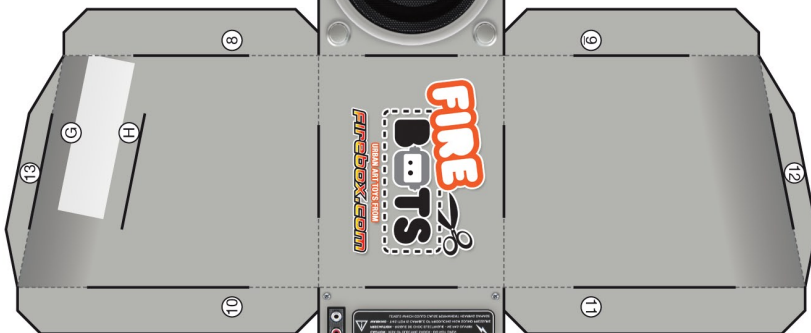
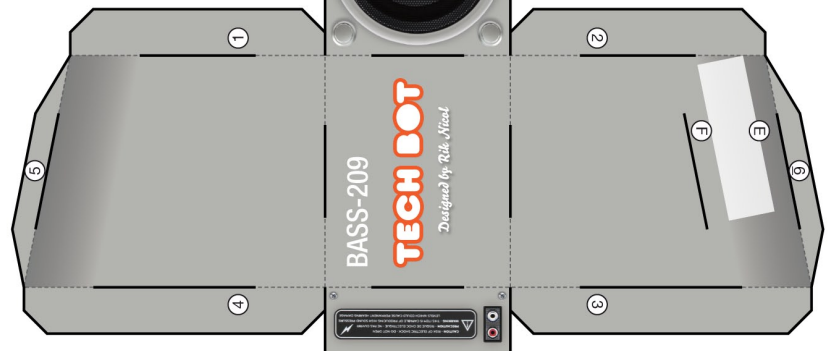
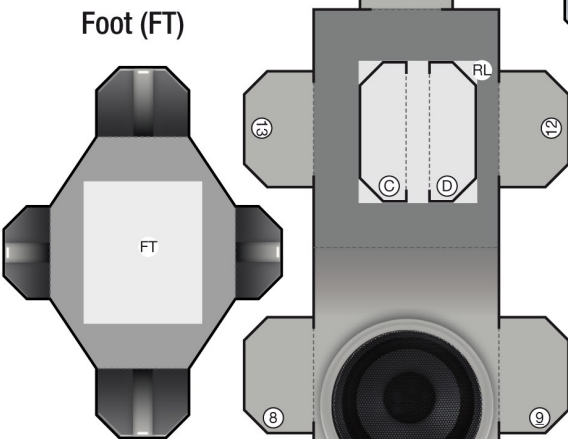
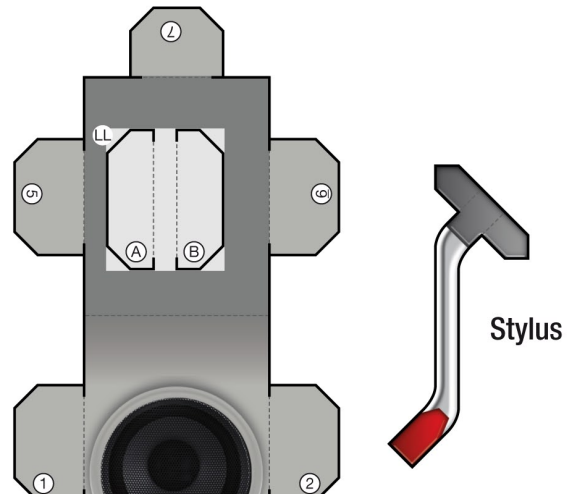
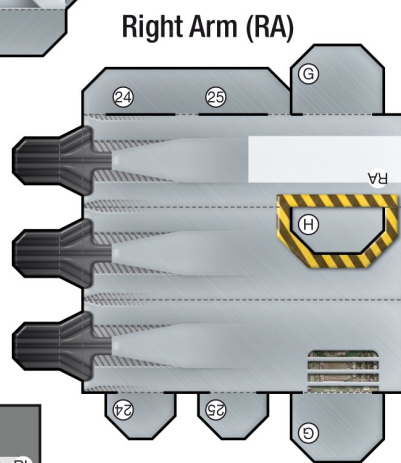
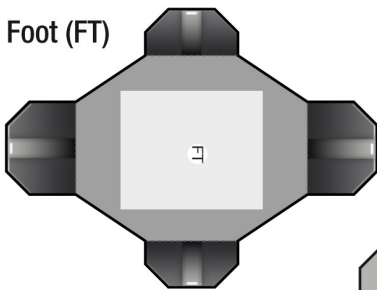
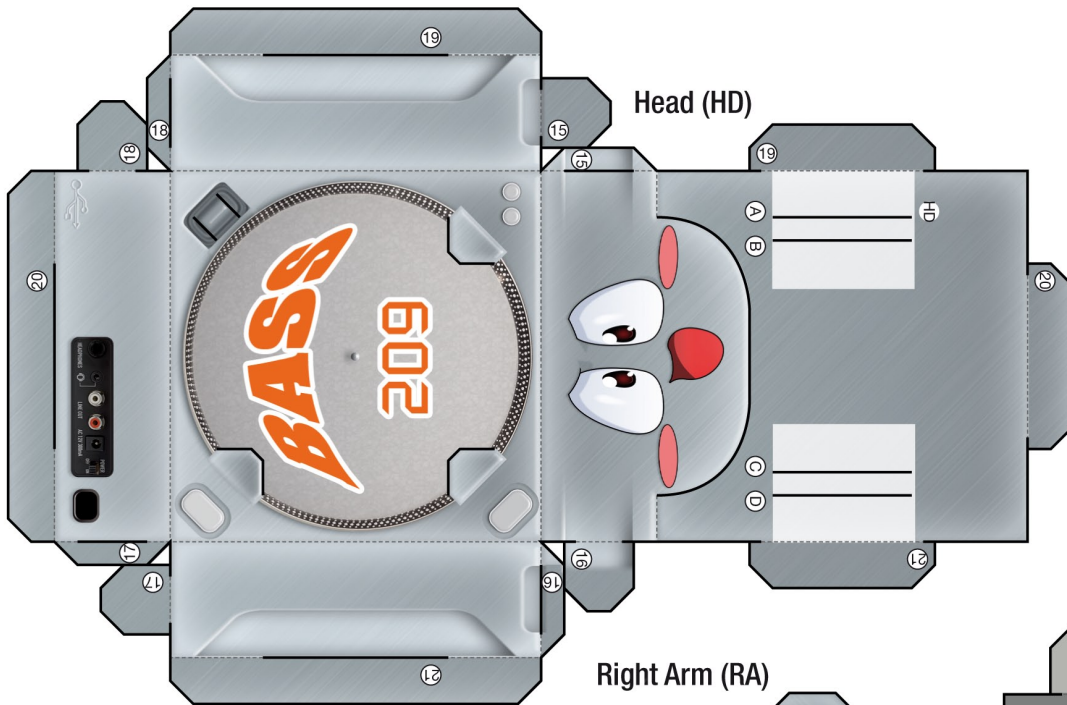


KEY:

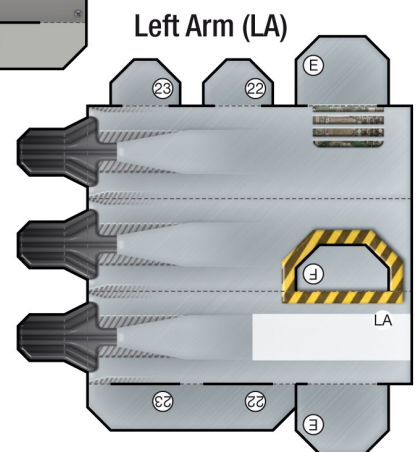
CUT SOLID LINES

SCORE & FOLD DASHED LINES

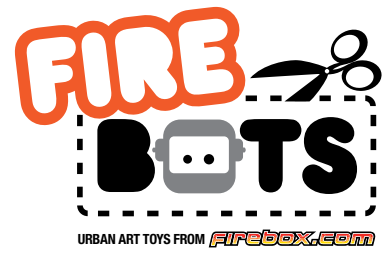
N.B. LIGHT GREY BOXES ARE WHERE OPTIONAL GLUE CAN BE APPLIED.



Record



SPECIAL INSTRUCTIONS



TECH BOT
3 OF 5

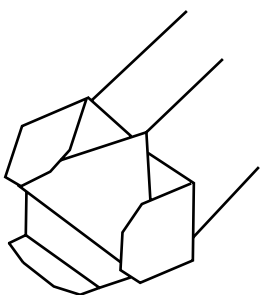
Designed by Rik Nicol

NO GLUE INSTRUCTIONS

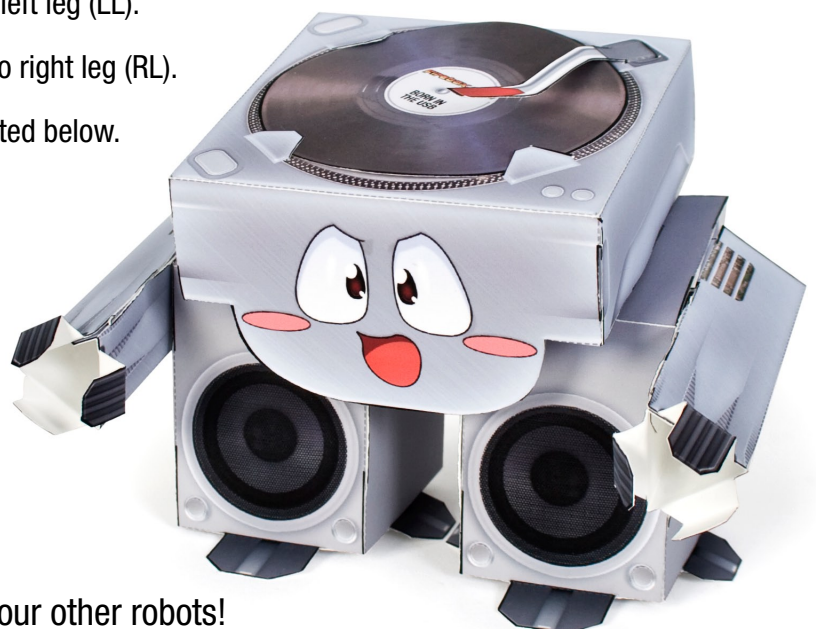
1. Cut out along the thick lines, and score/fold along the dotted lines.
2. Insert feet (FT) into left leg (LL) and right leg (RL). Place leg face down, and push tabs through centre of leg while foot is face up.
3. Fold tabs 1-7 to build left leg (LL) and tabs 8-14 to build right leg (RL).
4. Fold tabs 15-18 to build head (HD).
5. Connect (pull through from reverse) tabs A, B, C and D to connect legs (LL) + (RL) to head (HD).
6. Insert record and stylus to head and fold tabs 18-21 to complete head (HD).
7. Fold tabs 22 and 23 to build left arm (LA), then connect to left leg (LL) with tabs E and F.
8. Fold tabs 24 and 25 to build right arm (RA), then connect to right leg (RL) with tabs G and H.
9. Fold hands out then in to form claw shape illustrated below.

GLUE INSTRUCTIONS

1. Cut out along the thick lines, and score/fold along the dotted lines. Tabs are numbered in pairs - you can remove the smaller of each set.
2. Glue tabs 1-7 to build left leg (LL) and tabs 8-14 to build right leg (RL).
3. Glue feet (FT) to bottom of legs (LL) + (RL).
4. Glue tabs 15-21 to build head (HD).
5. Glue legs (LL) + (RL) to head (HD).
6. Glue tab 22/23 to build left arm (LA), then glue to left leg (LL).
7. Glue tab 24/25 to build right arm (RA), then glue to right leg (RL).
8. Fold hands out then in to form claw shape illustrated below.



claw shape



Visit www.firebox.com/firebots to check out our other robots!